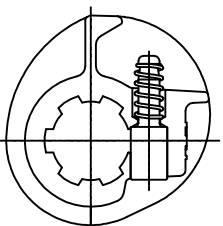
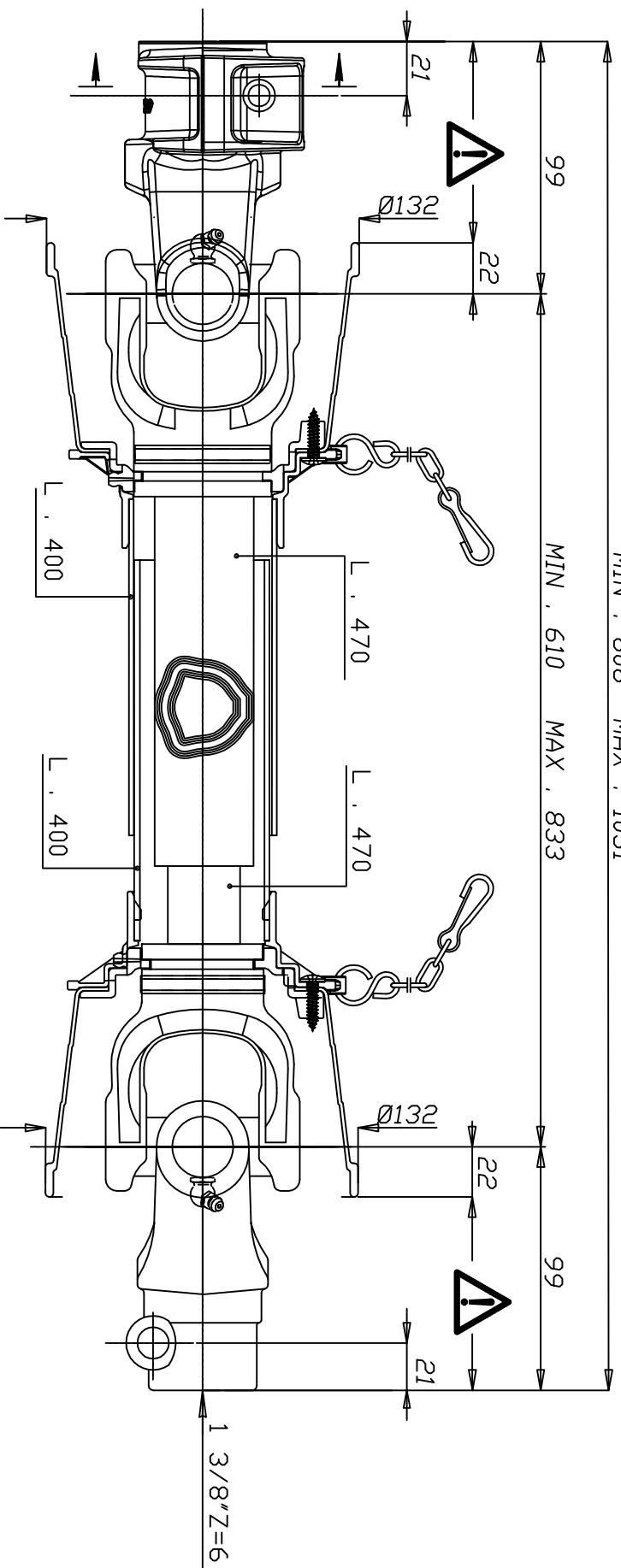


MIN . 808 MAX . 1031

MIN . 610 MAX . 833



1-3/8" Z=6

WARNING!
 SECTIONS OF THE ASSEMBLY MARKED  ARE NOT SHIELDED AND MUST BE SHIELDED BY AN INTERACTIVE GUARDING SYSTEM BINACCHI S.p.A. DECLINES RESPONSIBILITY IF PROPER GUARD ARE NOT PROVIDED OR MAINTAINED.



TIPO-TYPE
TYP

B2

CLIENTE-CUSTOMER-CLIENT-KUNDE

DANI-TECH A/S -DK- per GMR

DATA

18/06/14

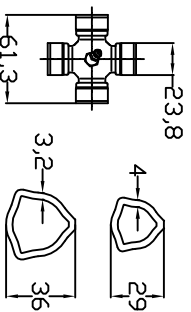
RIF.CLIENTE-CUSTOMER REF.-REF.CLIENT-BEZUG KUNDE

64-061-211

TIPO DI MACCHINA-TYPE OF IMPLEMENT-TYPE DE MACHINE-MASCHINENTYPE

VISTO

MODIFICHE-MODIFICATIONS-ÄNDERUNGEN-MODIFICACIONES



POTENZA : 21 Cv (540 g/min)
COPPIA : 270 Nm (540 g/min)

NOTE :

CODICE C.E.D.

B2N061CE460A60

